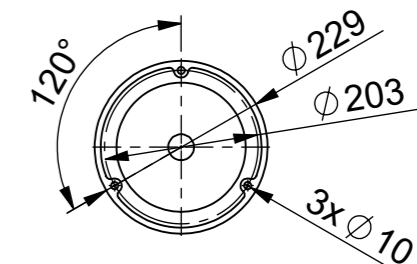
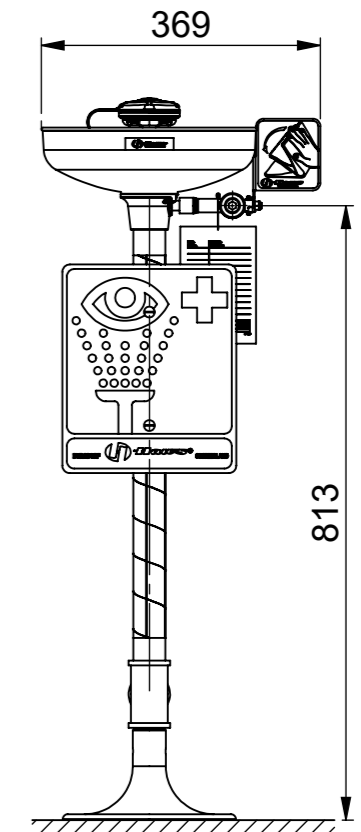
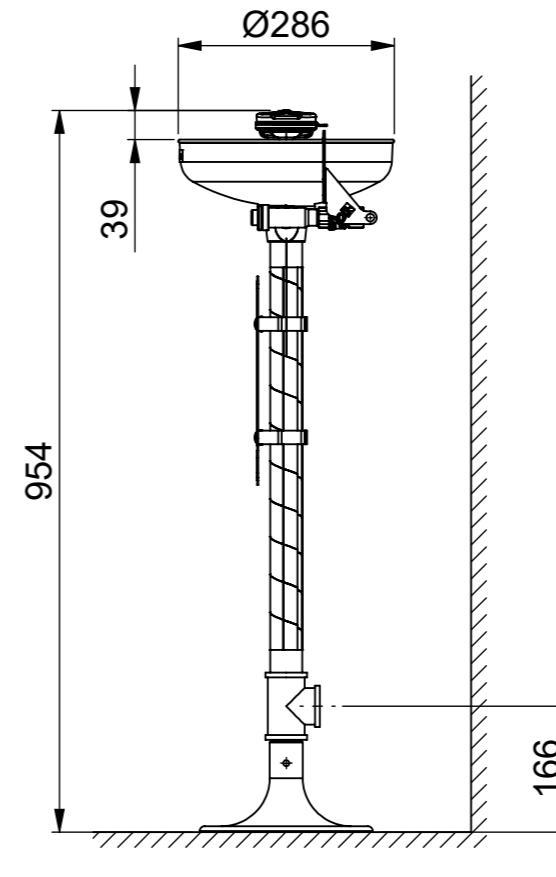


Piping in galvanized steel



Floor flange detail

Weight: 8,4kg (18,5lbs)
 DIMENSIONS MAY VARY +/- 12,7mm (1/2")

A			16.02.2021	drmi
REV	DESCRIPTION	ECN NO.	DATE	BY
REVISIONS				
CATEGORY	MATERIAL	TITLE		
		7261 Axion		
		SPECIFICATION		
		PART NO.		
		10004433		
		SIZE	DOCUMENT NO.	REV.
		A3	0009046	A

		APPROVALS MODELLED ruje 02.10.2007 DRAWN ruje 02.10.2007 REVISOR drmi 16.02.2021 CHECKED tara 16.02.2021	
T +41 (0)34 420 60 00 F +41 (0)34 420 60 01 BACHWEG 3 CH3401 BURGENDORF SWITZERLAND www.haws.ch info@haws.ch		SCALE 1:5 SHEET 1 OF 2 General tolerances ISO 2768-mK	