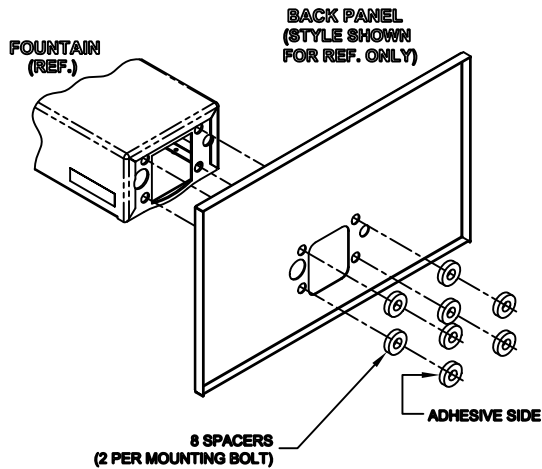
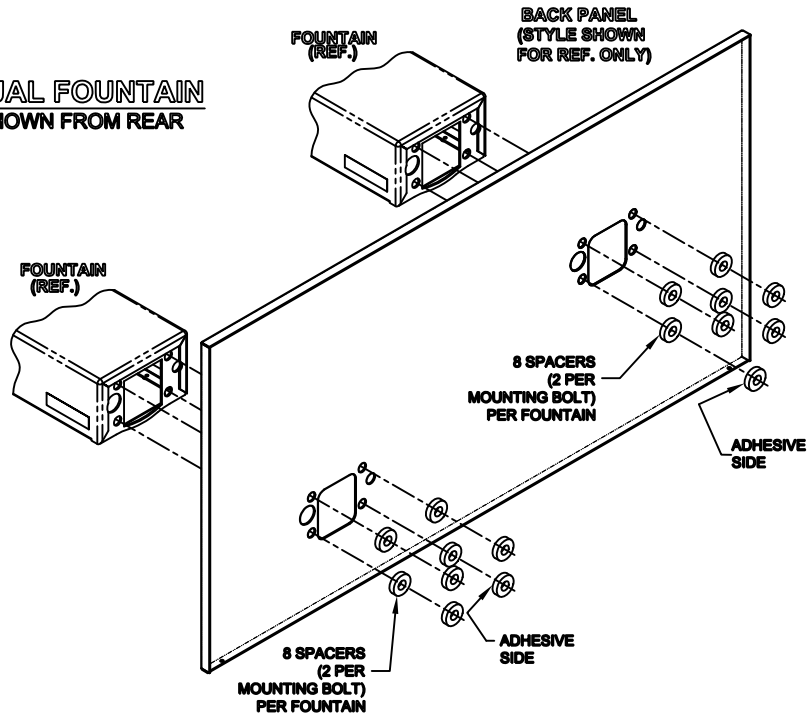


THIS DOCUMENT IS TRUE AND CORRECT AT TIME OF PUBLICATION. CONTINUED PRODUCT IMPROVEMENTS MAKE SPECIFICATIONS AND MEASUREMENTS SUBJECT TO CHANGE WITHOUT NOTICE.

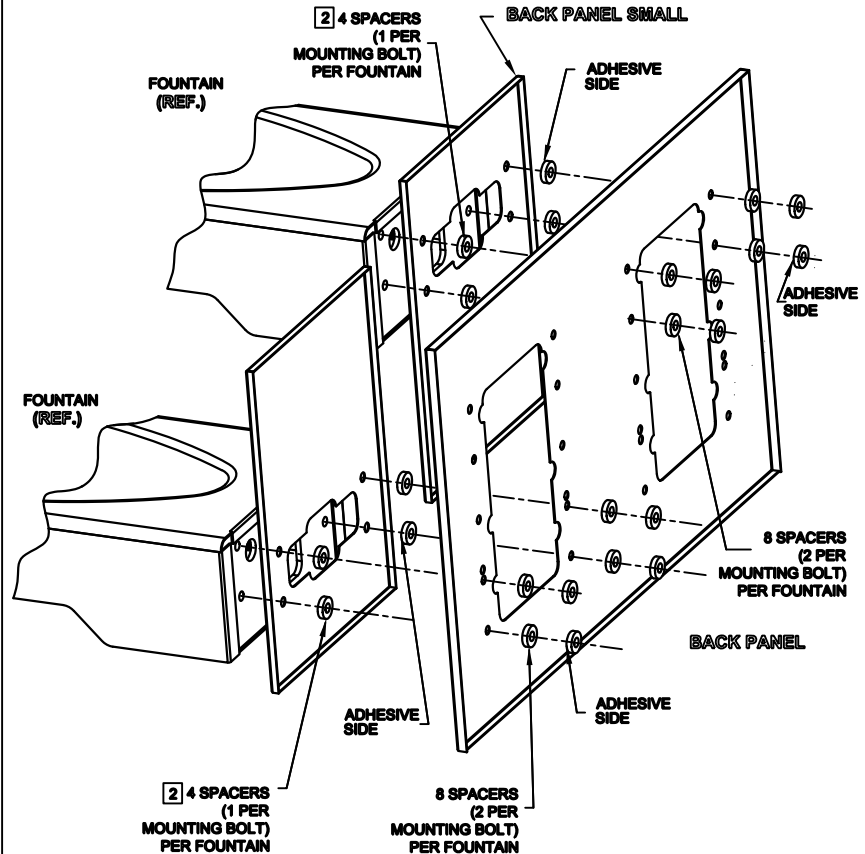
**DUAL FOUNTAIN  
SHOWN FROM REAR**



**SINGLE FOUNTAIN  
SHOWN FROM REAR**

**NOTES:**

- 1 ON ALL BACK PANEL MODELS, SPACERS ARE NOT USED WHEN A MOUNTING FRAME IS USED EXCEPT AS SPECIFIED IN NOTE 2
- 2 INDICATED SPACERS ARE USED WITH MOUNTING FRAME (DUAL ADJUSTABLE)



**DUAL FOUNTAIN ADJUSTABLE  
SHOWN FROM REAR**



1455 KLEPPE LANE  
SPARKS, NEVADA 89431  
(775) 359-4712 FAX (755) 359-7424  
E-MAIL: HAWS@HAWS.CO.COM  
WEBSITE: WWW.HAWS.CO.COM

ECN NO. REVISED PER BY: ECN: 4595 HM	MODEL(S)	PART NUMBER 0002082219
DRAWN: CL DATE: 10/28/92 CHKD:	BACK PANEL SPACER INSTRUCTIONS	DRAWING NO. REV 08282C00 5
APPROVED: DATE:	SCALE: 1:10 DRAWING TYPE: INSTALLATION	SIZE: A SHEET 1 OF 1