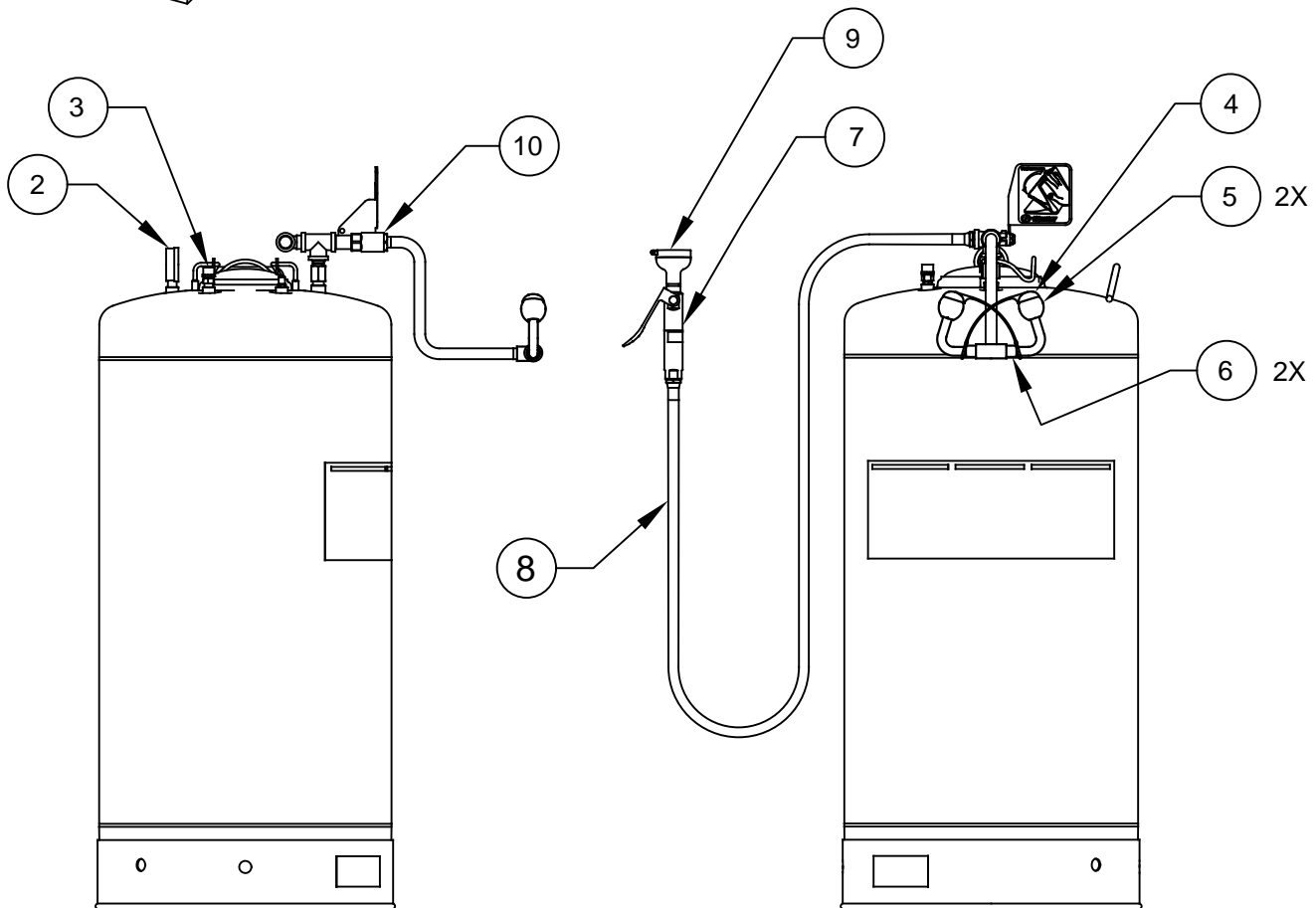
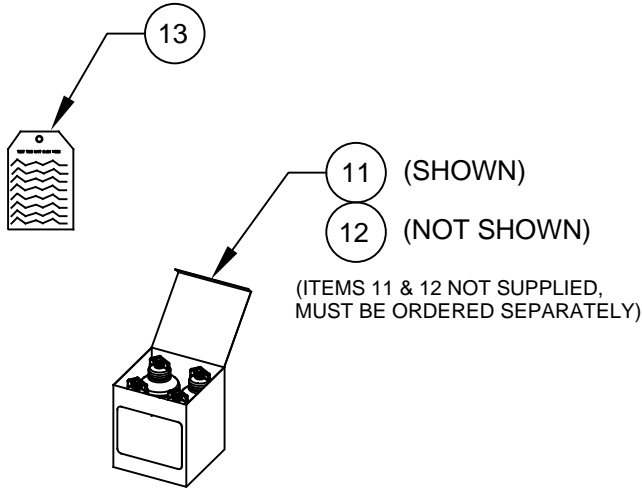


PARTS BREAKDOWN

ITEM	DESCRIPTION	PART NO.
1	VALVE, AIR	0006522676
2	GAUGE, PRESSURE	0002580702
3	VALVE, RELIEF	0110000535
4	COVER, POP-OFF	9094
5	HEAD, EYEWASH	SP12
6	FLOW CONTROL	0012506950
7	SQUEEZE VALVE	SP248
8	HOSE </td <td>SP142</td>	SP142
9	HEAD EYE/FACE	0002974804
10	VALVE, BALL	0006546340
11	ANTIMICROBIAL PRESERVATIVE (4-PACK)	9082
12	ANTIMICROBIAL PRESERVATIVE (12-PACK)	9082-C
13	INSPECTION TAG	0510000504



WHEN ORDERING PARTS PLEASE SPECIFY MODEL NUMBER.

		1455 KLEPPE LANE SPARKS, NEVADA 89431 (775) 359-4712 FAX (775) 359-7424 E-MAIL: HAWS@HAWS.CO.COM WEBSITE: WWW.HAWS.CO.COM	
		ECN NO. REVISED PER BY ECN: 5438 FV	MODEL(S) 7601.37 37 GALLON PORTABLE EW
DRAWN RTM APPROVED IR	DATE 1/15/97 DATE 12/09/19	CHKD DP DATE	REVISION 18
SCALE: 1:12		DRAWING TYPE: PARTS BREAKDOWN	
SIZE: A		SHEET 1 OF 1	