
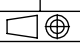


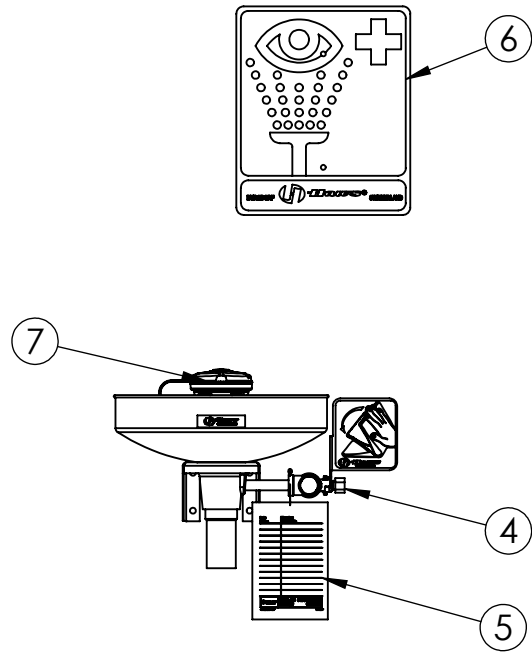
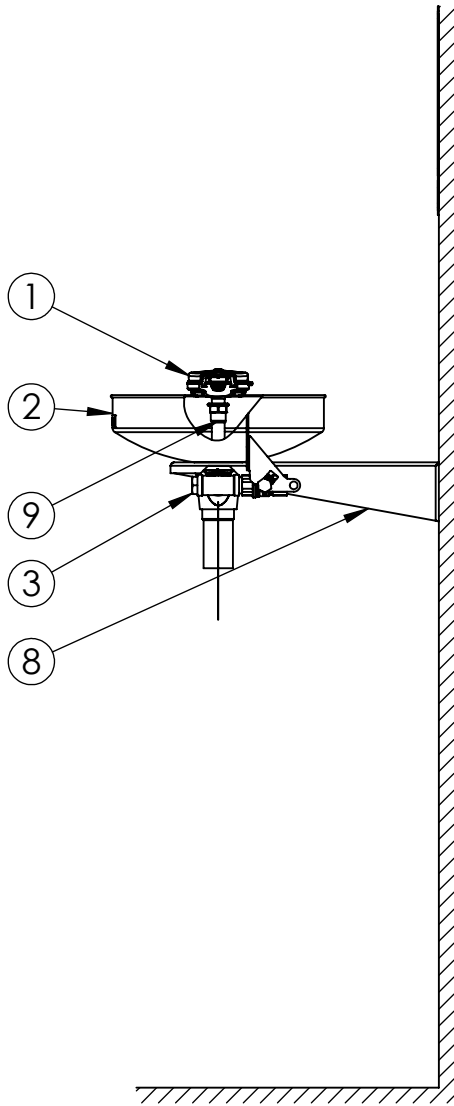
Weight: 5,9kg (13lbs)

| | | | | | |
|--|-------------|---|------|-------------|--------------|
| A | | | | 22.02.2021 | drmi |
| REV | DESCRIPTION | ECN NO. | DATE | BY | |
| REVISIONS | | | | | |
| CATEGORY | | MATERIAL | | TITLE | |
|  <p>T +41 (0)34 420 60 00 F +41 (0)34 420 60 01</p> <p>BACHWEG 3 CH3401 BURGDORF SWITZERLAND</p> <p>www.haws.ch info@haws.ch</p> | | SURFACE | | WEIGHT (kg) | |
| | | APPROVALS | | DATE | |
| | | MODELLED | | 22.02.2011 | |
| | | DRAWN | | 22.02.2011 | |
| | | REVISED | | 22.02.2021 | |
| CHECKED | | 20.09.2022 | | PART NO. | |
| SCALE 1:10 | |  | | 10004589 | |
| General tolerances ISO 2768-mK | | SHEET 1 OF 2 | | SIZE | DOCUMENT NO. |
| | | | | A4 | 0008860 |
| | | | | REV. | A |

THIS DOCUMENT AND THE DATA DISCLOSED HEREIN OR HEREWITH IS NOT TO BE REPRODUCED, USED, OR DISCLOSED IN WHOLE OR IN PART TO ANYONE WITHOUT THE PERMISSION OF HAWS CORPORATION.

PARTS BREAKDOWN

| ITEM | PART NU. | DESCRIPTION |
|------|----------|--------------------------|
| 1 | SP65SS | Axion eye/face wash head |
| 2 | SP90 | Bowl |
| 3 | SP509SS | Strainer |
| 4 | SP228 | Valve assembly |
| 5 | SP170 | Test tag |
| 6 | SP175 | Eye wash sign |
| 7 | 9102 | Dust Cover |
| 8 | SP80.2 | Bracket |
| 9 | SP37.5 | Flow control |



PARTS BREAKDOWN



WHEN ORDERING PARTS PLEASE SPECIFY YOUR MODEL NUMBER

T +41 (0)34 420 60 00
F +41 (0)34 420 60 01

BACHWEG 3
CH3401 BURGENDORF
SWITZERLAND

www.haws.ch
info@haws.ch

TITLE
7778B Axion
Eye/Face Wash

| APPROVALS | DATE |
|-------------------------|------------|
| DRAWN Jeannine Ruf | 22.02.2011 |
| CHECKED Jeannine Ruf | 20.09.2022 |
| REVISED Jeannine Ruf | 20.09.2022 |
| DRAW-NO. | |
| ECN NO. | |

MATERIAL
10004589

SIZE PART NO. REV.
A4 2080103/1

| ZONE | REV | DESCRIPTION | ECN | DATE | BY |
|-----------|-----|-------------|-----|------|----|
| REVISIONS | | | | | |

THIS DOCUMENT AND THE DATA DISCLOSED HEREIN OR HEREWITH IS NOT TO BE REPRODUCED, USED, OR DISCLOSED IN WHOLE OR IN PART TO ANYONE WITHOUT THE PERMISSION OF HAWS CORPORATION.