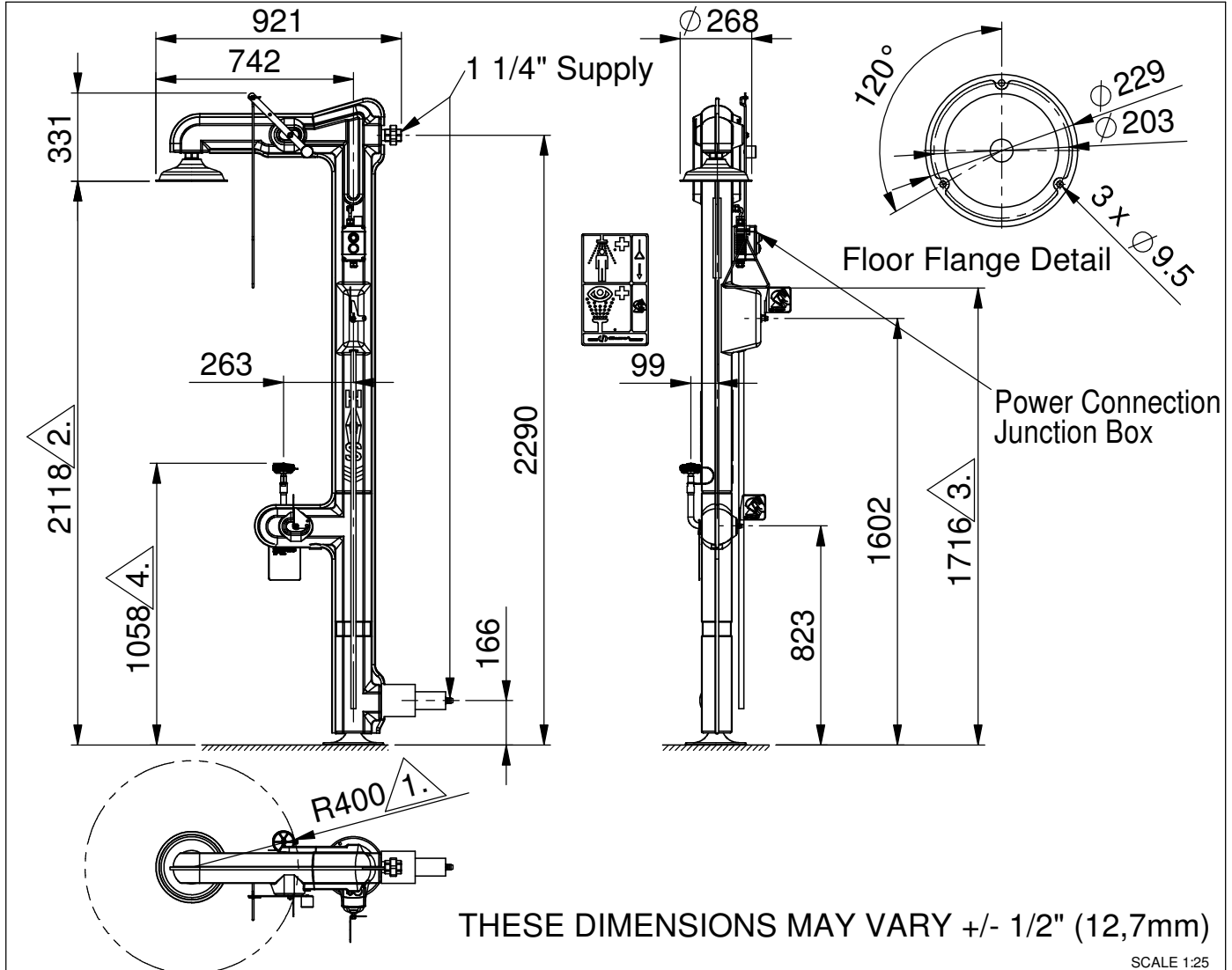


Model 8317CTFPEX Axion Combination Shower & Eye/Face Wash No.2080155/5

NOTE TO INSTALLER: please leave this information with the maintenance department.


Legally-stipulated dimensions:

1. There must be a minimum clearance radius of 400 mm / 1' 3 3/4" (not counting operating controls and eyewasher units) between a vertical line running down from the shower head and the nearest obstacle (wall, vertical inlet pipe or similar).
2. Height above floor level: 2100mm - 2300mm (6' 10 1/2" - 7' 6 1/2").
3. The operating controls must be no higher than 1750mm (5' 9") above floor level (while conforming to local regulations).
4. Height above floor level: 800mm - 1200mm (2' 7 1/2" - 3' 11 1/4").

Free access to the eyewash station/body shower 8317CTFPEX Axion must be guaranteed at all times. The operator is responsible for the observance of this requirement.



HAWS AG • Bachweg 3 • CH-3401 Burgdorf • Switzerland • www.haws.ch
 HAWS Corporation • P.O.Box 2070 • 1455 Kleppe Lane • Sparks, Nevada 89431/USA • www.hawesco.com

Model 8317CTFPEX Axion Combination Shower & Eye/Face Wash No.2080155/5

Shower location: The eyewash station/body shower 8317CTFPEX Axion must be installed in the vicinity of potential danger zones. It must be highly visible and easily accessible.

Connection conduit: You are recommended to use a 1 1/4" G conduit, capable of withstanding pressures of 2 - 6BAR (30 - 90PSI). The use of an inlet filter designed to prevent the entry of suspended particles and other impurities is also recommended.

Water quality: Eyewash stations/body shower require a supply of drinking water conforming to European standards or their equivalents in other countries.

Water temperature: The required water temperature should be determined the user. The accepted ideal range is 15 - 35°C / 60 - 95°F (but please ensure conformity with local regulations).

Volume flow: A minimum flow rate of 60 litres / 15,8 US gallons per minute must be maintained for the body shower. A minimum flow rate of 6 litres / 1,6 US gallons per minute must be maintained for the eyewash station. The eyewash station/body shower must be capable of delivering this amount of water for at least 15 minutes.

Connection to plumbing: The inlet consists of a 1 1/4" G conduit with female-thread adapter.

Regular inspection:

The eyewash station/body shower 8317CTFPEX Axion should be inspected at weekly intervals. The inspection tag should be dated and signed after each check.

| TROUBLESHOOTING | |
|---------------------------------------|---|
| Problem | Repair-checklist |
| 1. No flow | Check the main shutoff valve. |
| 2. Insufficient flow of water | 1. Check the line pressure. This should be at least 2 BAR / 30 PSI (dynamic). 2. Blocked flow, possibly due to the conduit not being correctly flushed out. Dismantle the flow-control element, and clean the filter insert. |
| 3. Flow rate is not as specified | The flow conduit may be blocked (for remedy, see above). The eyewash station may not have been set up correctly. |
| 4. Water does not discharge correctly | Check the building's main drainage outlet. Note that it must have adequate capacity to handle the entire drainage system. |
| 5. Loose connections or fittings | Tighten any loose connection elements. The application of hot water sometimes makes it easier to put slightly-misaligned connection elements back into place. If the join is still leaking after 30 minutes, the assembly must be dismantled and re-sealed. |