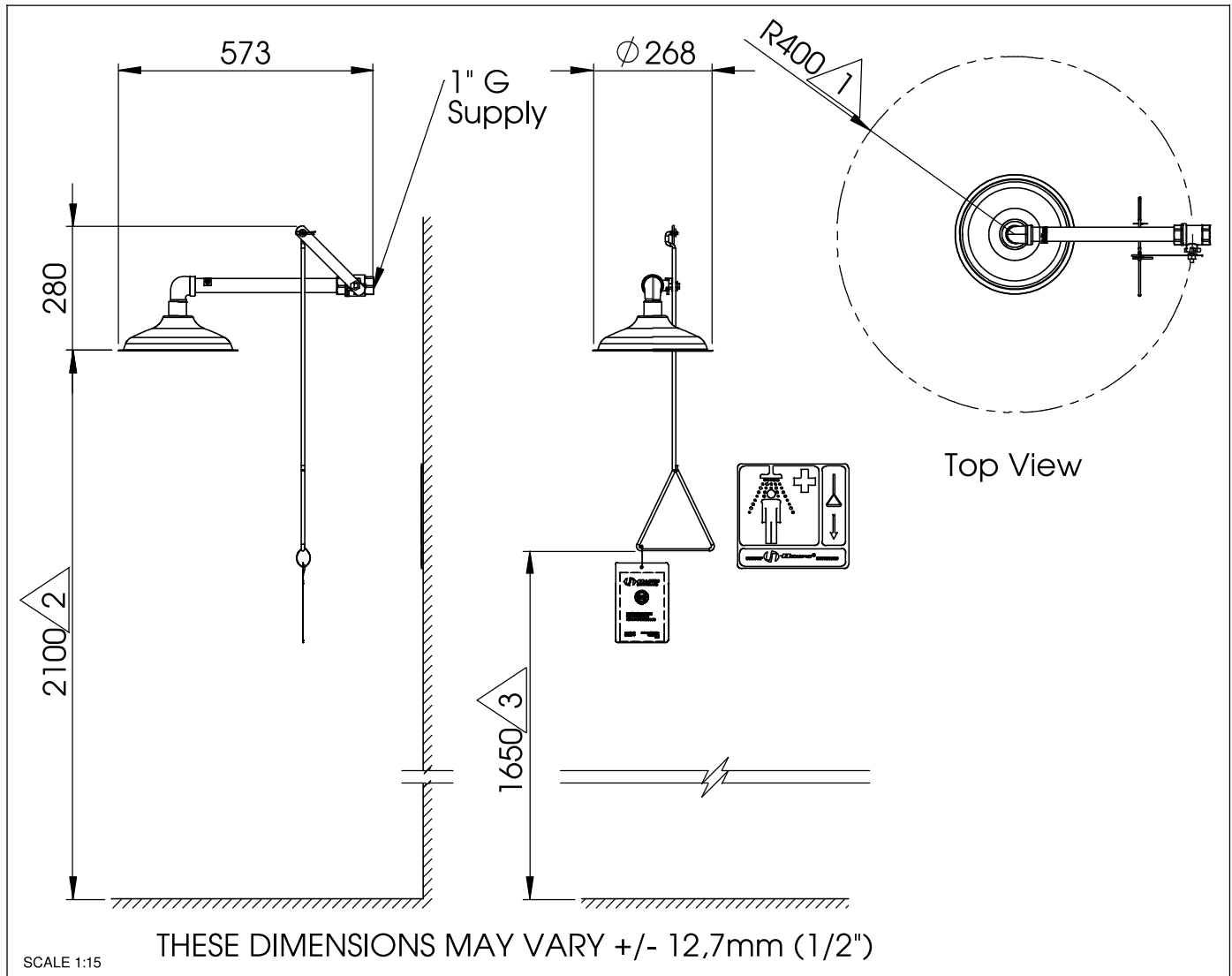


Model 8133H Axion
Drench Shower Horizontal

No.2080135/1

NOTE TO INSTALLER: please leave this information with maintenance department.

Legally-stipulated dimensions:

- 1 There must be a minimum clearance radius of 400 mm / 1' 3 3/4" (not counting operating controls) between a vertical line running down from the shower head and the nearest obstacle (wall, vertical inlet pipe or similar).
- 2 Height above floor level: 2100mm - 2300mm (6' 10 1/2" - 7' 6 1/2").
- 3 The operating controls must be no higher than 1750mm (5' 9") above floor level (while conforming to local regulations).

Free access to the emergency body shower 8133H Axion must be guaranteed at all times. The operator is responsible for the observance of this requirement.



Model **8133H Axion**

Drench Shower Horizontal

No.2080135/1

Shower location: The emergency body shower 8133H Axion must be installed in the vicinity of potential danger zones. It must be highly visible and easily accessible.

Connection conduit: You are recommended to use a 1" G conduit, capable of withstanding pressure of 2 - 6 BAR (30 - 90PSI). The use of an inlet filter designed to prevent the entry of standards of suspended particles and other impurities is also recommended.

Water quality: Emergency body showers require a supply of drinking water conforming to European standards or their equivalents in other countries.

Water temperature: The required water temperature should be determined by the user. The accepted ideal range is 15 - 35°C / 60 - 95°F (but please ensure conformity with local regulations).

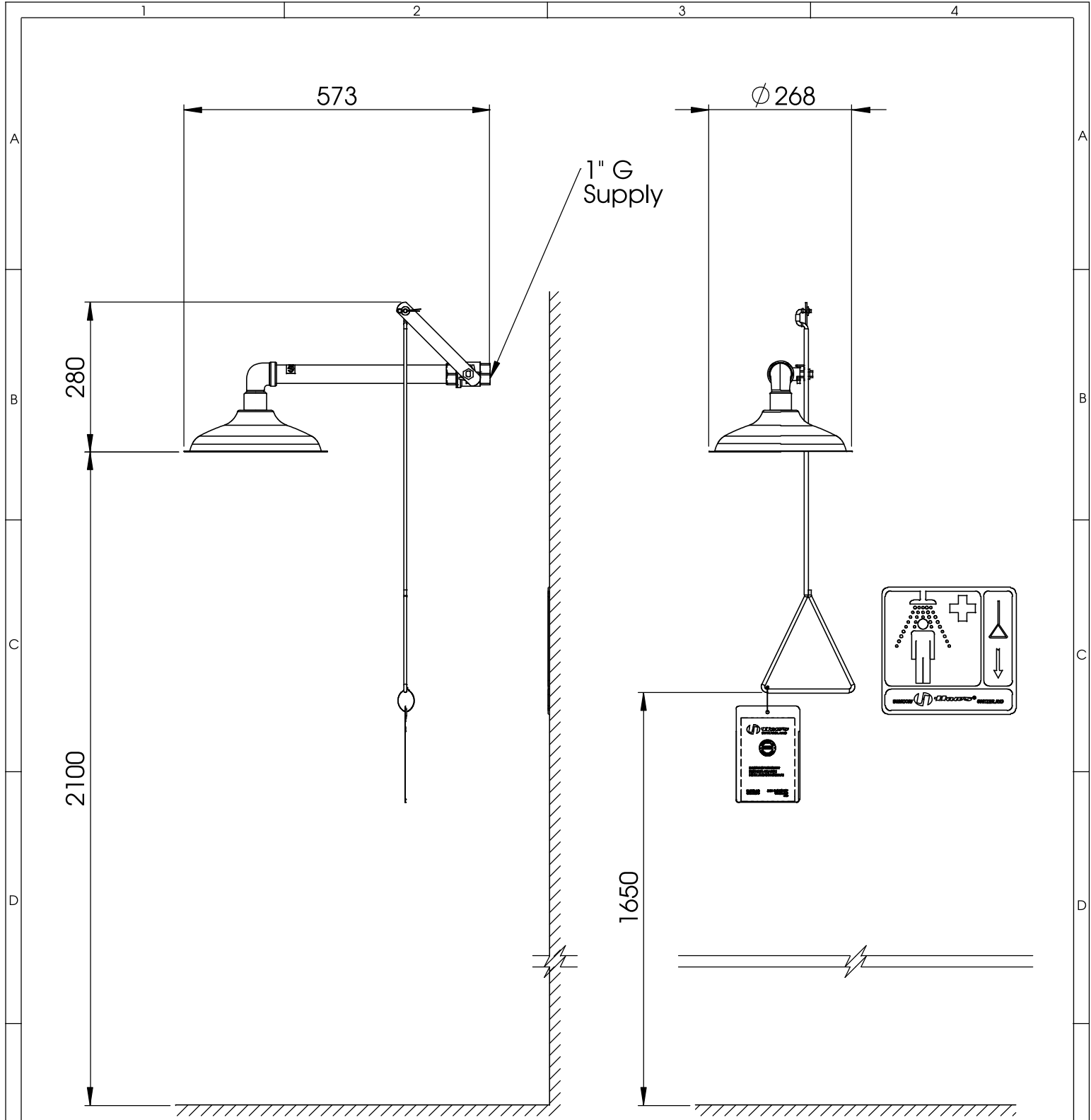
Volume flow: A minimum flow rate of 60 litres / 15,8 US gallons per minute must be maintained. The emergency body shower must be capable of delivering this amount of water for at least 15 minutes.

Connection to plumbing system: The inlet consists of a 1" G female-threaded conduit.

Regular inspection:

The emergency body shower 8133H Axion should be inspected at weekly intervals. The inspection tag should be dated and signed after each check.

TROUBLESHOOTING	
Problem	Repair-checklist
1. No flow	Check the main shutoff valve.
2. Insufficient flow of water	Check the line pressure. This should be at least 2 BAR / 30PSI (dynamic).



Weight: 4,2kg (9,2lbs)

THESE DIMENSIONS MAY VARY +/- 12,7mm (1/2")

DATA SHEET



T +41 (0)34 420 60 00 CH3401 BURG DORF SWITZERLAND www.haws.ch
 F +41 (0)34 420 60 01 info@haws.ch

TITLE
 8133H Axion
 Drench Shower Horizontal

APPROVALS	DATE
DRAWN Jeannine Ruf	14.07.2010
CHECKED Jeannine Ruf	14.07.2010
REVISED Jeannine Ruf	11.10.2011

MATERIAL
 Stainless Steel

ZONE	REV	DESCRIPTION	ECN	DATE	BY
REVISIONS					

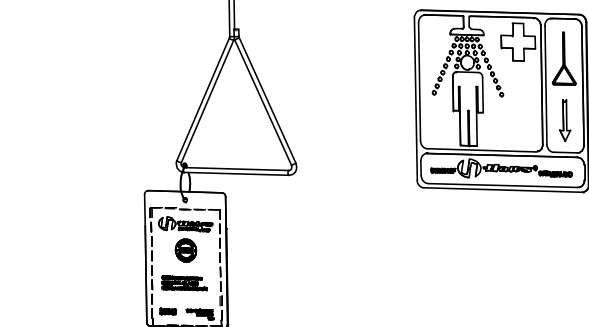
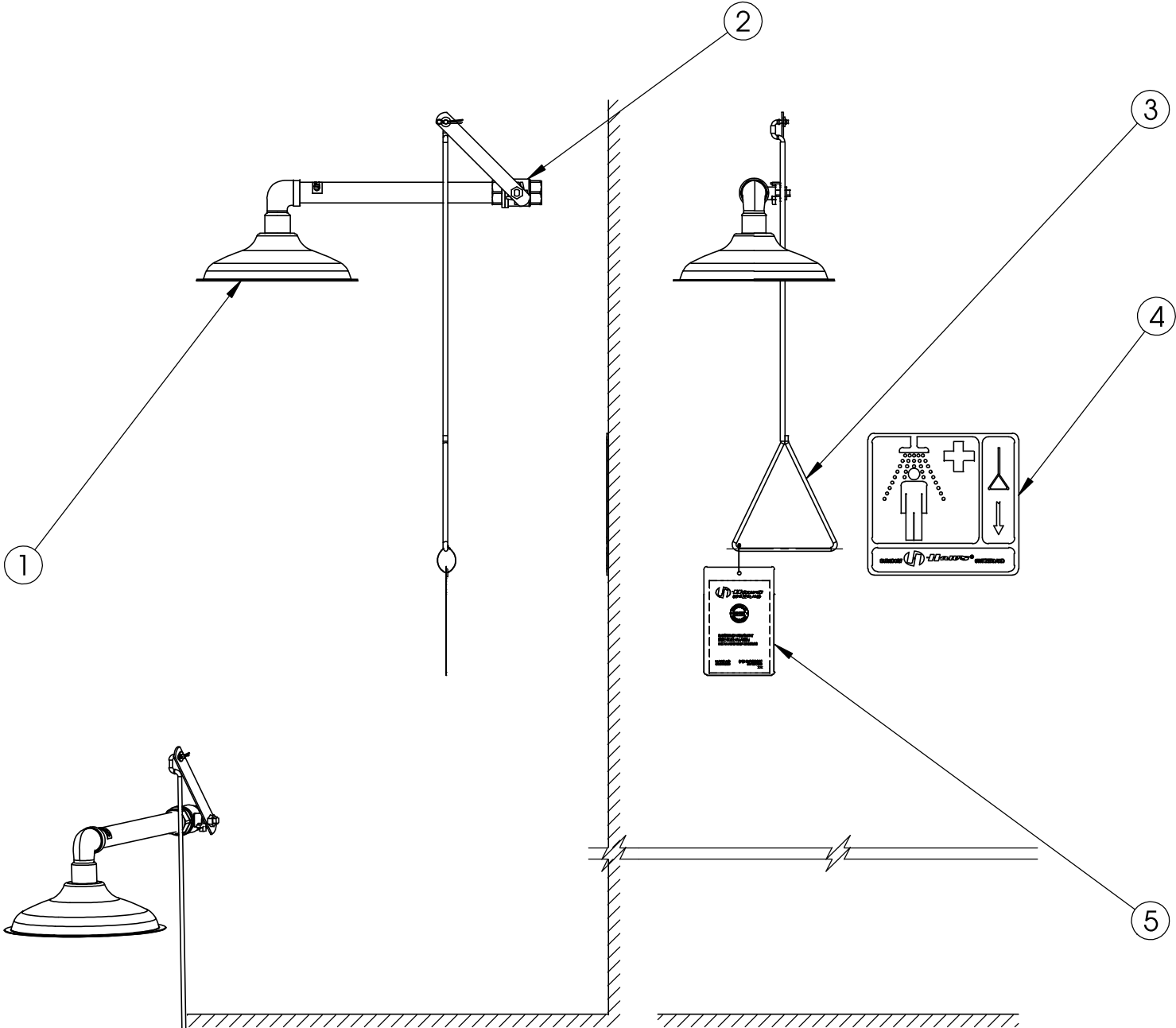
SIZE PART NO.
 A4 2080135/1 **REV.**


THIS DOCUMENT AND THE DATA DISCLOSED HEREIN OR HERewith IS NOT TO BE REPRODUCED, USED, OR DISCLOSED IN WHOLE OR IN PART TO ANYONE WITHOUT THE PERMISSION OF HAWS CORPORATION.

SCALE 1:10 **SHEET** 3 OF 4

PARTS BREAKDOWN

ITEM	PART NU.	DESCRIPTION
1	SP829SS	Axion shower head stainless steel
2	SP265	Valve assembly
3	SP200	Pull rod
4	SP177	Shower sign
5	SP170	Test tag



PARTS BREAKDOWN			
WHEN ORDERING PARTS PLEASE SPECIFY YOUR MODEL NUMBER		T +41 (0)34 420 60 00 F +41 (0)34 420 60 01	BACHWEG 3 CH3401 BURG DORF SWITZERLAND
APPROVALS		www.haws.ch info@haws.ch	
DATE		TITLE	
DRAWN Jeannine Ruf		8133H Axion	
CHECKED Jeannine Ruf		Drench Shower Horizontal	
REVISED Jeannine Ruf		MATERIAL	
DRAW-NO.		Stainless Steel	
ECN NO.		SIZE PART NO.	REV.
		A4	2080135/1
		SCALE 1:10	SHEET 4 OF 4

ZONE	REV	DESCRIPTION	ECN	DATE	BY
REVISIONS					
THIS DOCUMENT AND THE DATA DISCLOSED HEREIN OR HEREWITH IS NOT TO BE REPRODUCED, USED, OR DISCLOSED IN WHOLE OR IN PART TO ANYONE WITHOUT THE PERMISSION OF HAWS CORPORATION.					