

FEATURES & BENEFITS

AXION FACE+EYEWASH HEAD

The patented AXION shower head with integral flow control delivers reliable a compliant water jet for rinsing eyes and face. The unique, centered AXION water jet eliminates the main issues of other eye wash systems to provide proper first aid.

LARGE BOWL

The 28 cm round green ABS plastic receptor is resistant to damage from alkalis.

SAFE OPERATION

Chrome-plated brass in-line 50 x 50 mesh water strainer prevents debris from reaching the eye wash so the unit stays functioning at its best. Strainer is easily serviceable.

HIGH QUALITY

Face+eye wash station and valve assembly is pre-built and fully water/pressure tested to ensure no leaks and proper function.



OPTIONS

- Stainless steel dust cover model 9102 protects the AXION eye wash head as well as the bowl.
- Wall-mounted foot control unit SP220W includes a powder-coated aluminum pedal and a wall bracket for hands-free operation of the eye wash.
- Proximity switch SP 165E for the activation of an external alarm system
- Numerous solutions for the supply of tepid water

For more information, visit www.haws.ch or call + 41(0)34 420 60 00.

SPECIFICATIONS

Technical information

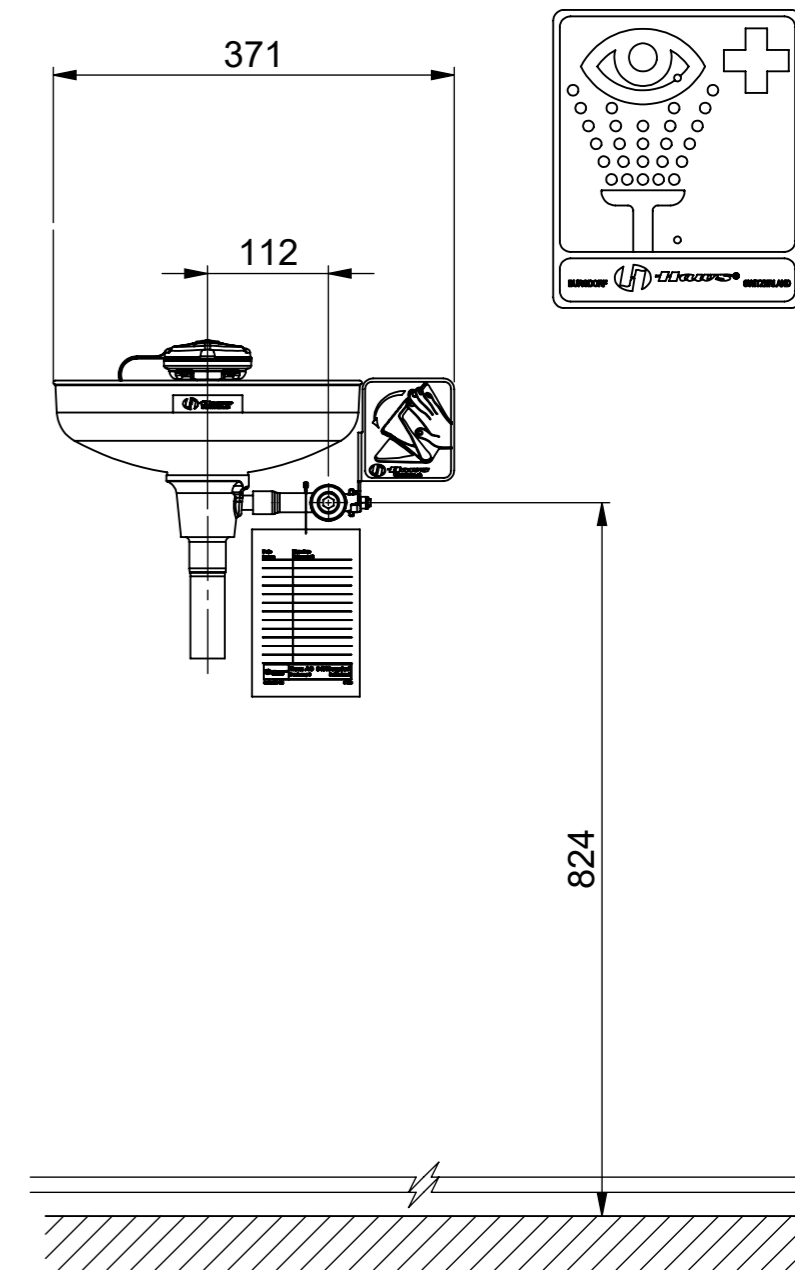
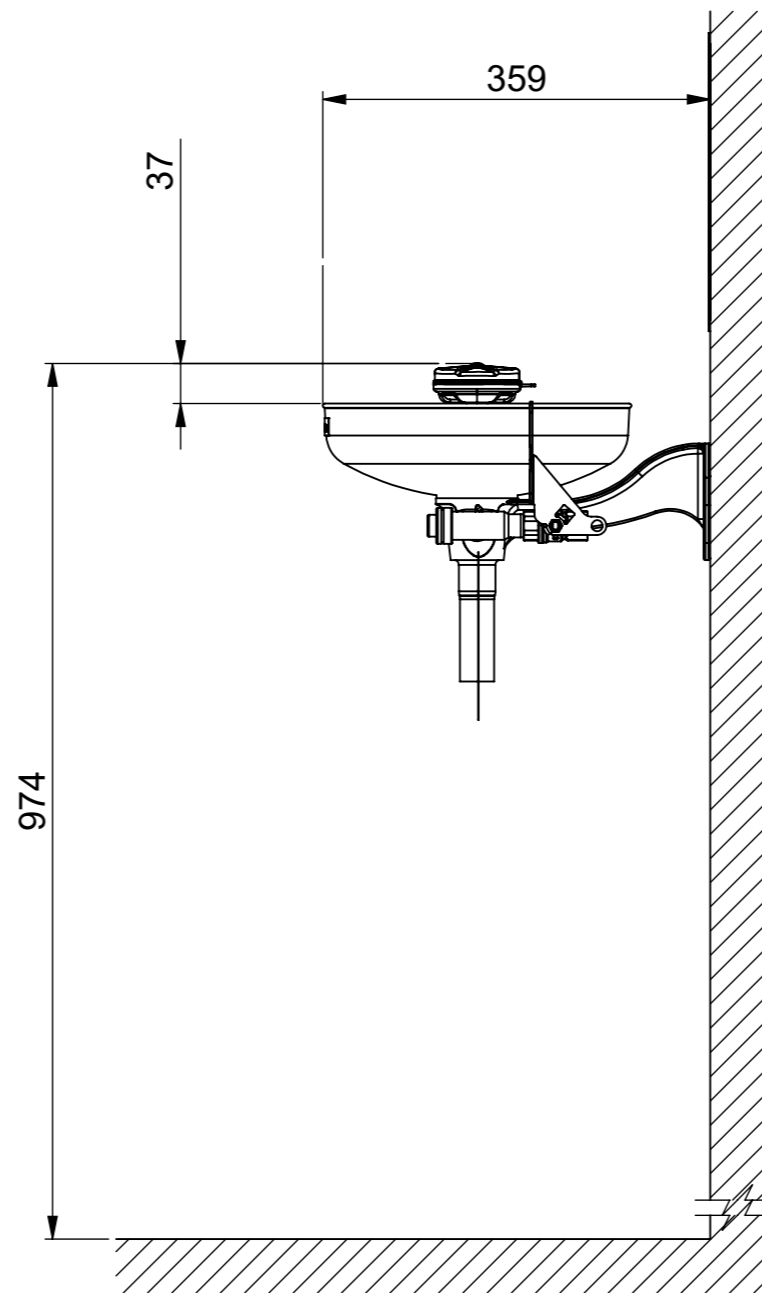
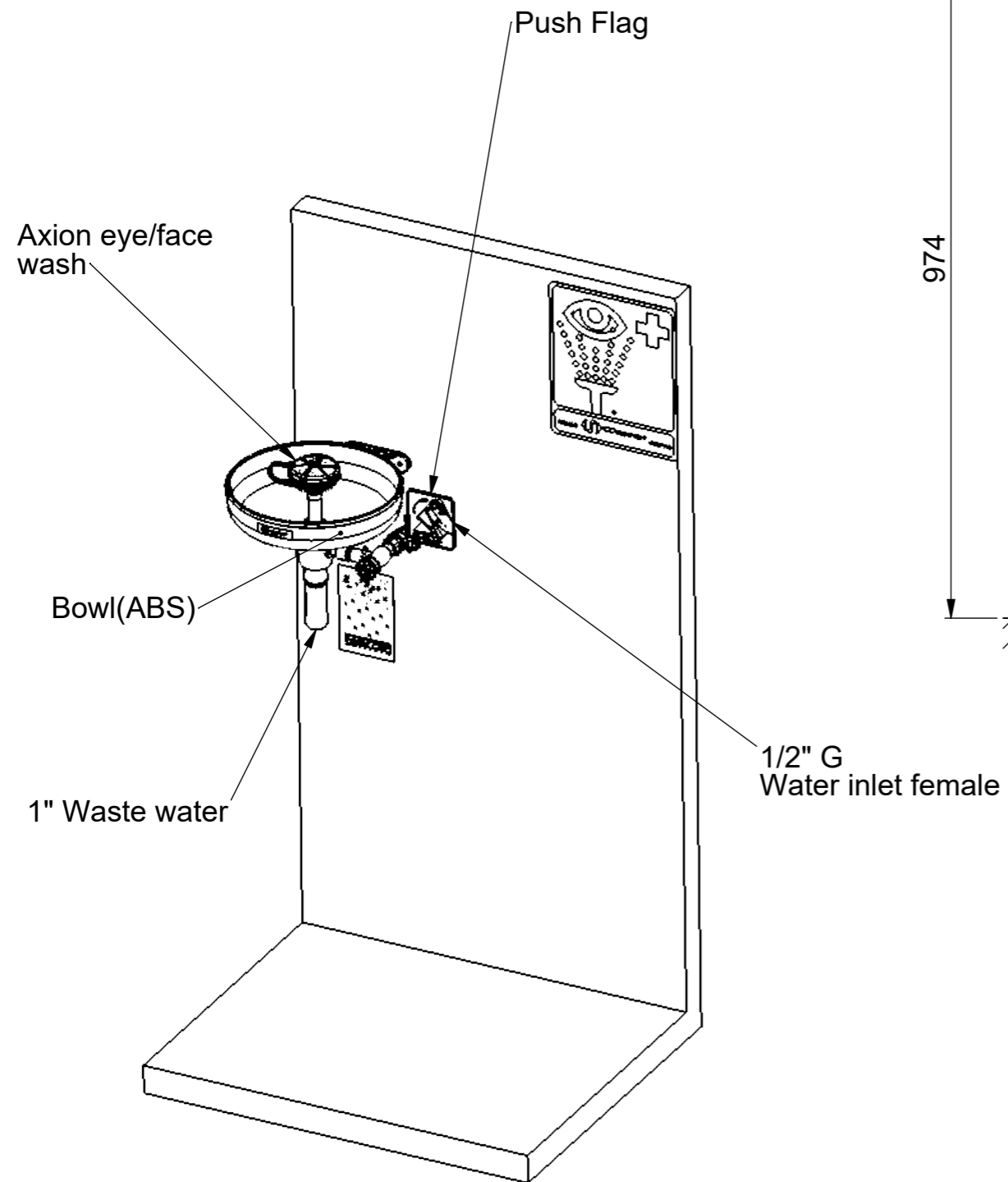
- Water flow: 14 liters/minute
- Application: indoor/outdoor
- Dimensions (H x W x D): 300 x 371 x 359 mm
- Water inlet: 1/2" G
- Water outlet: 1" G

Characteristics

- Pre-built and fully water/pressure tested
- Increased safety due to AXION face+eyewash head
- Alkalis resistant 28 cm green ABS plastic bowl
- Reliable chrome-plated brass stay-open ball valve with stainless steel ball and stem
- Chrome plated brass in-line mesh strainer to prevent debris
- Including universal safety sign

APPLICATIONS

The Haws eye wash model 7260B AXION is the optimal solution for industrial applications. It complies to the standards EN 15154-2 and ANSI Z358.1. An ABS plastic bowl makes this permanently installed face+eye wash very durable. The patented AXION shower head delivers reliable a compliant water jet for rinsing eyes and face. The unique, centered AXION water jet eliminates the main issues of other eye wash systems to provide proper first aid.

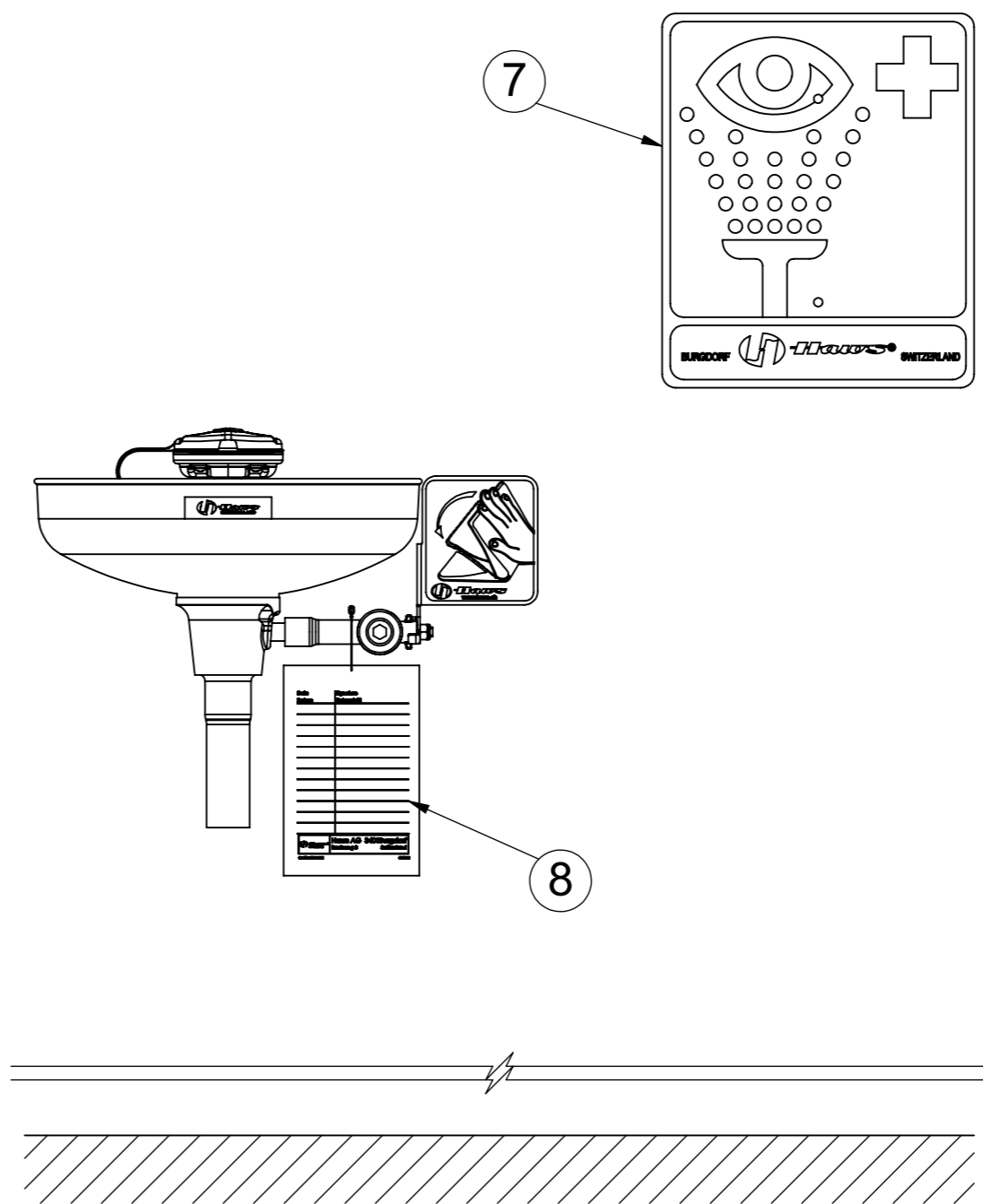
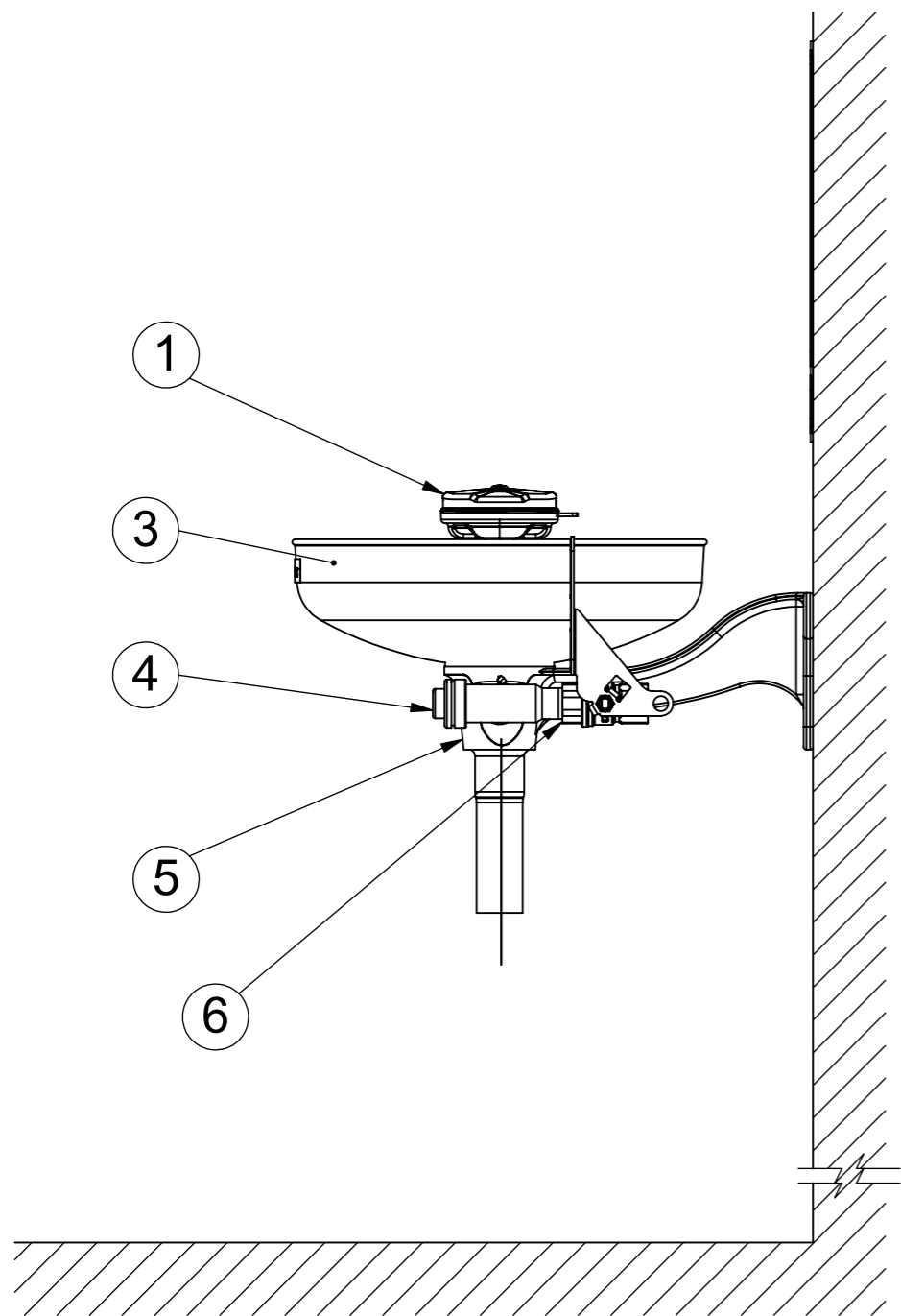


Weight: 3,1kg (6,8lbs)
 THESE DIMENSIONS MAY VARY +/- 12,7mm (1/2")

A			15.02.2021	drmi
REV	DESCRIPTION	ECN NO.	DATE	BY
REVISIONS				
CATEGORY	MATERIAL	TITLE		
		7260B Axion		
		SPECIFICATION		
		Eye/Face wash		
		PART NO.		
		10004428		
		SIZE	DOCUMENT NO.	REV.
		A3	0009029	A

T +41 (0)34 420 60 00 F +41 (0)34 420 60 01		BACHWEG 3 CH3401 BURGDORF SWITZERLAND		www.haws.ch info@haws.ch	
THIS DOCUMENT AND THE DATA DISCLOSED HEREIN OR HEREWITH IS NOT TO BE REPRODUCED, USED OR DISCLOSED IN WHOLE OR IN PART TO ANYONE WITHOUT THE PERMISSION OF HAWS CORPORATION.		CHECKED	DATE	SCALE 1:10	SHEET 1 OF 2
		tara	20.09.2022		
General tolerances ISO 2768-mK					




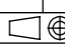


SP65 EYE WASH ASSEMBLY

PARTS BREAKDOWN

ITEM	PART NU.	DESCRIPTION
1	SP65	Axion eye/face wash head
2	SP9091	Dust Cover (ABS yellow)
3	SP93	Bowl
4	SP509	Strainer
5	SP80	Bracket
6	SP229	Valve assembly
7	SP175	Eye wash sign
8	SP170	Test tag
9	SP37.5	Flow control

REV	DESCRIPTION	ECN NO.	DATE	BY
			15.02.2021	drmi

CATEGORY	MATERIAL	TITLE
 T +41 (0)34 420 60 00 F +41 (0)34 420 60 01 BACHWEG 3 CH3401 BURGDORF SWITZERLAND www.haws.ch info@haws.ch	SURFACE	WEIGHT (kg)
	APPROVALS	DATE
	MODELLED	
	DRAWN	
REVISED	drmi	15.02.2021
CHECKED	tara	20.09.2022
SCALE 1:7		SHEET 2 OF 2

SIZE	DOCUMENT NO.	REV.
A3	0009029	A