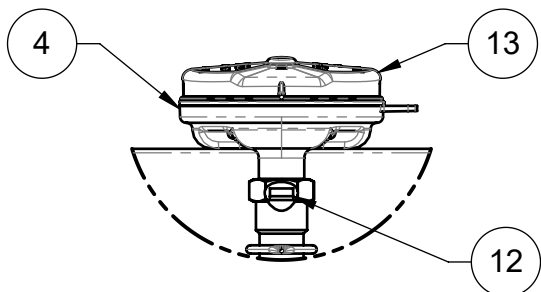


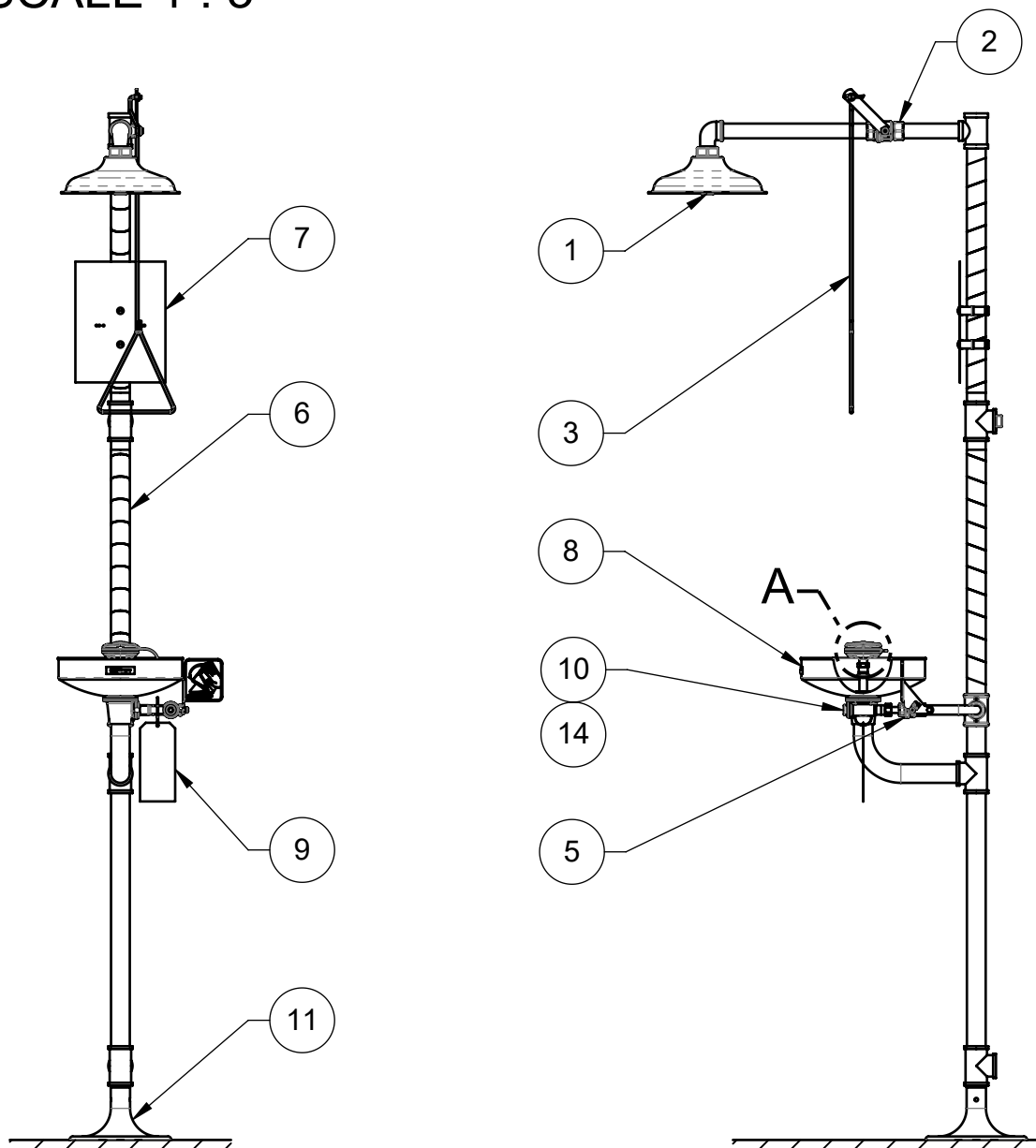
# PARTS BREAKDOWN




DETAIL A  
SCALE 1 : 3

| ITEM | DESCRIPTION              | MODEL NO. | ITEM NO. |
|------|--------------------------|-----------|----------|
| 1    | AXION SHOWER HEAD        | SP829     | 10006266 |
| 2    | VALVE ASSEMBLY           | SP260     | 10006187 |
| 3    | PULL ROD                 | SP200     | 10002978 |
| 4    | AXION EYE/FACE WASH HEAD | SP65      | 10001851 |
| 5    | VALVE ASSEMBLY           | SP225     | 10006161 |
| 6    | STRIPE TAPE              | SP185     | 10002079 |
| 7    | SHOWER SIGN              | SP178     | 10003218 |
| 8    | BOWL                     | SP90      | 10006278 |
| 9    | TEST TAG                 | SP170     | 10006134 |
| 10   | INLINE STRAINER          | SP509     | 10006227 |
| 11   | FLOOR FLANGE             | SP75      | 10006262 |
| 12   | FLOW CONTROL             | SP37.5    | 10001711 |
| 13   | DUST COVER               | SP9091    | 10000718 |
| 14   | REPAIR KIT FOR SP509     | VRKEWSTR  | 10006353 |
| --   | FOOT TREADLE (NOT SHOWN) | SP220     | 10003587 |

OPTIONAL -



|  |                     |                |  |  |
|--|---------------------|----------------|--|--|
|  |                     |                | HAWS AG<br>BACHWEG 3<br>3400 BURGENDORF SWITZERLAND<br>T +41 (0)34 420 60 00 F +41 (0)34 420 60 01<br>E-MAIL: INFO@HAWS.CH<br>WEBSITE: WWW.HAWS.CH |  |
| ECN:<br>0001   | REV. ECN:<br>0001   | BY:<br>DN      | MODEL(S)   |  |
| DRAWN:<br>DN   | DATE:<br>12/9/2024  | CHKD:<br>IR    | 8300 AXION (10004736)  |  |
| APPROVED:<br>DN  | DATE:<br>12/11/2024 | SCALE:<br>1:16 | DRAWING TYPE:<br>PARTS BREAKDOWN   | PART NUMBER<br>02080162<br>REVISION<br>1 |
| WHEN ORDERING PARTS, PLEASE SPECIFY ITEM NUMBER                                      |                     |                | SIZE: A  | SHEET 1 OF 1                             |