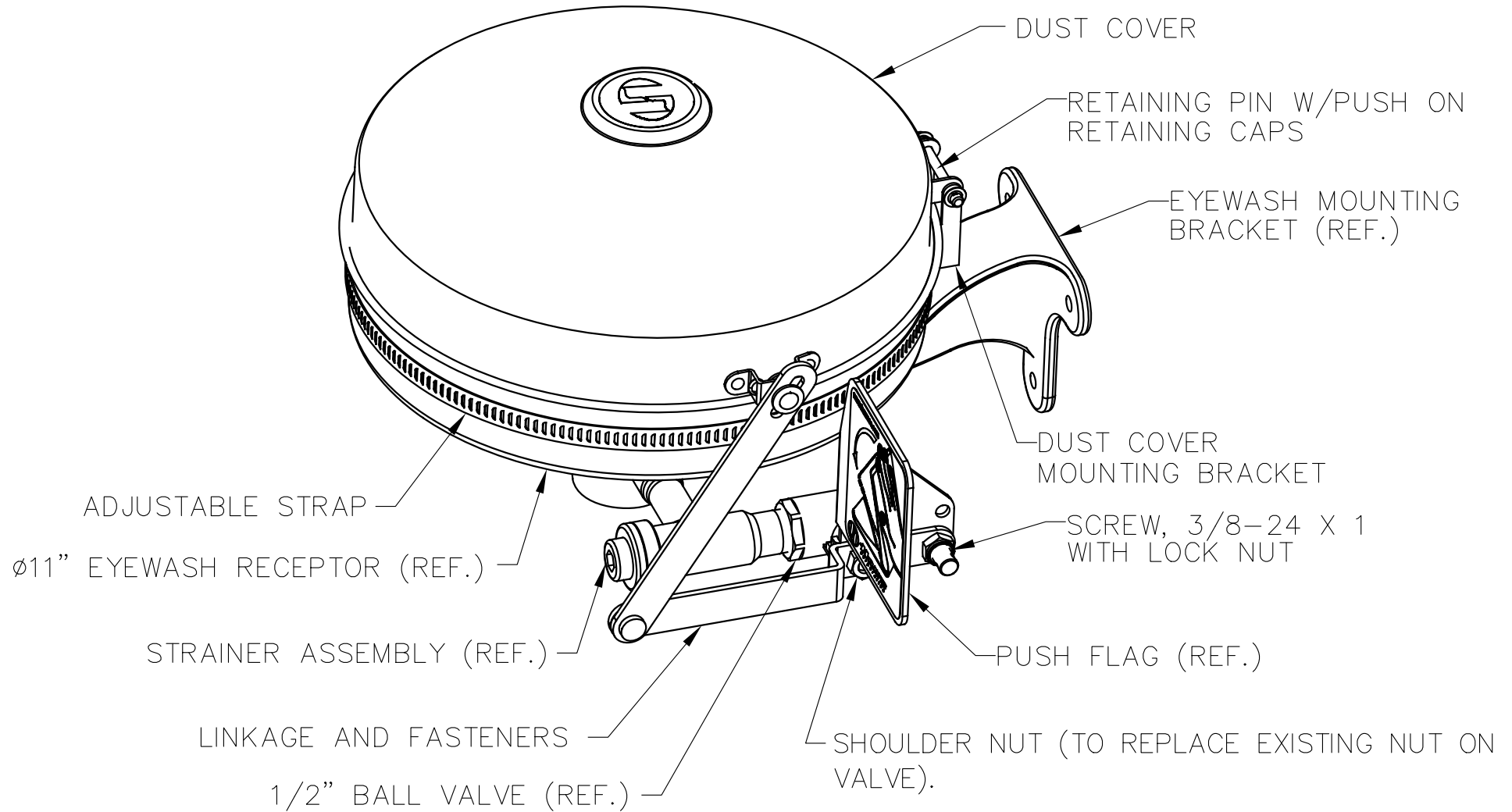


NOTES:

1. EYEWASH RECEPTOR, STRAINER, BALL VALVE, MOUNTING BRACKET, AND PUSH FLAG ARE NOT SUPPLIED AND SHOWN FOR REFERENCE ONLY.



		Haws [®]		1455 KLEPPE LANE SPARKS, NEVADA 89431 (775) 359-4712 FAX (775) 359-7424 E-MAIL: HAWS@HAWS.CO.COM WEBSITE: WWW.HAWS.CO.COM	
				ECN NO. 3900 DRAWN: D ZHOU APPROVED: IR	REVISED PER: ECN: 5472 DATE: 04/18/02 DATE: 12/11/19
SCALE: 1:1		DRAWING TYPE: INSTALLATION		SIZE: A SHEET 1 OF 1	