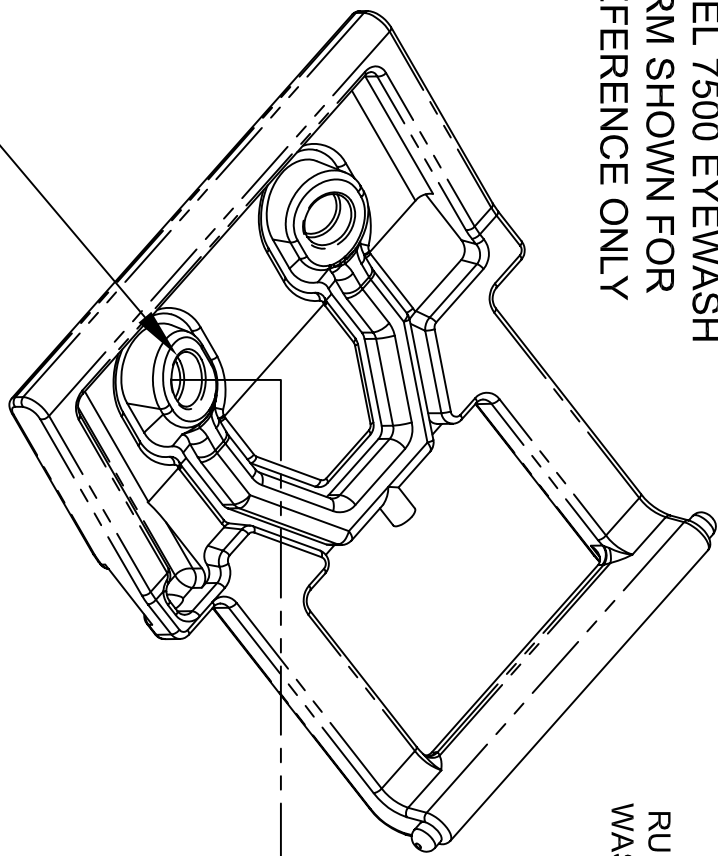
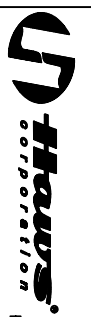
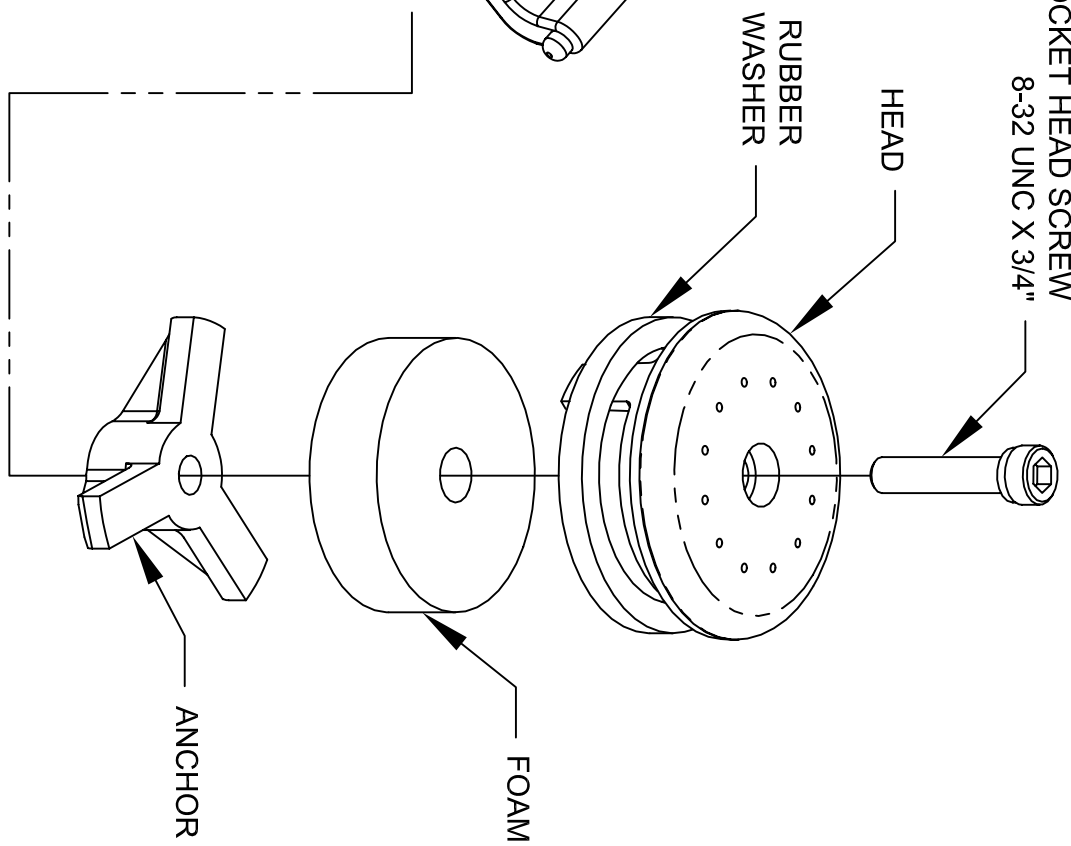


MODEL 7500 EYEWASH
ARM SHOWN FOR
REFERENCE ONLY



PLACE ANCHOR INTO HOLE THEN
SCREW ON EYEWASH HEAD USING
1/8" ALLEN WRENCH (BE SURE
FOAM IS IN PLACE).

SOCKET HEAD SCREW
8-32 UNC X 3/4"



INFO FAX : 1-888-FAX-HAWS (1-888-329-4297)

1455 Kleppe Ln, Sparks NY, 88431
Phone: 775-359-4712 Fax: 775-359-7424
Haws Agi Bockweg 3 CH-3401 Burgdorf Switzerland
Haws Mfg Pte Ltd 74 Sungei Kodut Loop Singapore 729531
e-mail: Haws@hawsco.com Website: www.hawsco.com

ISS. NO. 1	REVISED PER	DATE	MODEL(S):
2987	ECN 3009	9/20/99	SP19
DATE	DATE	SCALE:	1:1
APPROVED:	DATE	FORMING TYPE:	INSTALLATION/FEEDBACK
0007080307	14282000	SIZE:	A 1 5/8 1 5/8 1